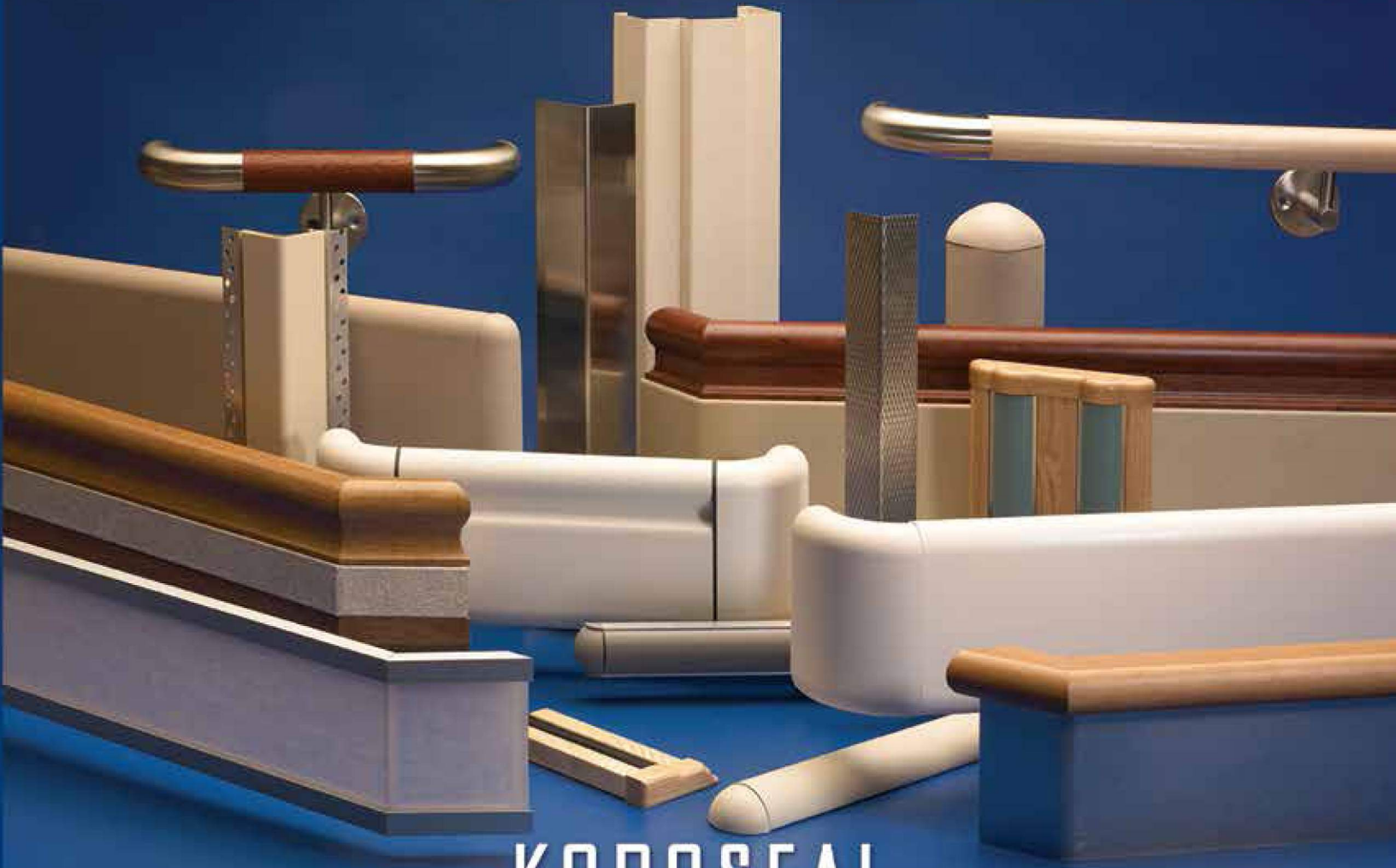




KOROGARD®
WALL PROTECTION SYSTEMS



10 26 00



KOROSEAL
Interior Products, LLC



Handrails • Chair Rails • Crash Rails • Bumper Rails • Corner Guards • Custom Formed Products
Protective Wallcoverings • Traffic Patterns® Decorative Wallcoverings **KOROGARD.COM**



Protect your walls in style.

Koroseal Interior Products takes an innovative approach to total wall protection. Our products have found a home in facilities across the nation. From the most notable sports venues to the highest trafficked retail and transit buildings, Korogard products are attractive, yet stand tough against the serious demands of everyday wear and tear.

Allow us to introduce our family of products.

Bellagard®, Korogard's newest product collection, incorporates beautiful materials such as BellaLucent Rails, BellaStone Composites, BellaLaminates, Sculpted Wall Panels, Powder Coated Metals, Elegant Metals, and Elegant Woods. Bellagard is a new concept in interior wall finishings.

Our pursuit to consistently deliver innovative products has spurred the development of Korogard ETS. This product series is manufactured with a unique blend of high-performance materials and recycled aluminum. Composed of corner guards, handrails, crash rails, and wallcovering options, Korogard ETS is the new choice in wall protection.

Imagine protecting your walls with a wallcovering that doubles as a marker board or a projection screen. You'll experience this type of flexibility with walltalkers® innovative product line. Offering a remarkable seamless writing and/or projection surface, walltalkers can be used to resurface chalkboards for complete wall-to-wall dry erase coverage.

Koroseal's® family of products also includes 54" Flexible Wallcoverings. Produced using 100% water-based inks and cadmium-free materials, Koroseal and Victrex® wallcoverings provide attractive and virtually maintenance-free choices for high-traffic interiors.

What are you waiting for? We hope you enjoy the many product options outlined in our brochure. If you don't see what you're looking for, give us a call at 800-628-0449.

Protection *through* Innovation

Korogard ETS is the future of wall protection

Koroseal is proud to offer **Korogard ETS**, a collection of wall protection products manufactured with a unique blend of high-performance materials and recycled aluminum.

Don't compromise your wall protection for a non-PVC product. Achieve both with **Korogard ETS**. Innovative architects and designers are often faced with the challenge of selecting a product that promotes sustainability or a product that meets their needs. With **Korogard ETS** products, you'll receive superior impact resistance and the level of performance that has become synonymous with the **Korogard** name.

Korogard ETS meets high-performance demands

- Aesthetics with Functionality and Style
- Superior Durability and Impact Resistance
- Class A Fire Rated
- Available in a Variety of Popular Standard and Custom Colors
- Leading Designs in Corner Guards, Crash Rails, Handrails, and Protective Sheets

Korogard ETS Product Offerings

- Corner Guards
- Crash Rails
- Handrails
- Protective Sheets

Koroseal and the environment

Several **Korogard**® products can contribute to your building achieving **LEED**® credits. All of our products provide a superior life-cycle, which means less waste and more value.

Materials & Resources Credit 1.2 (Building Reuse)

In renovation projects, **Korogard** crash rail and handrail profiles can be installed over existing retainers, maintaining the existing walls.

Materials & Resources Credit 2 (Construction Waste Management)

Korogreen™: **Koroseal** Wall Protection Systems will take back and recycle mechanically fastened aluminum and plastic wall protection components.

By recycling wall protection products through the **Korogreen** Recycling Program, customers divert construction waste from landfills.

Materials & Resources Credit 3 (Healthcare) (Sustainably Sourced Materials & Products)

Korogard Crash Rails, Handrails, and several Corner Guards contain pre-consumer recycled content. **Korogard** can supply Forest Stewardship Council®-Certified Wood handrails and chair rails.*

Environmental Quality Credit 4 (Schools, Retail, Healthcare)

Korogard Protective Wallcoverings and Traffic Patterns® Wallcoverings meet California Indoor Air Quality Specification 01350.

Materials & Resources Credit 4 (Recycled Content)

Korogard Crash Rails, Handrails, and several Corner Guards contain pre-consumer recycled content

Materials & Resources Credit 5 (Option 1) (CI) (Regional Materials)

Cities as far north as Boston, New York, and Buffalo, as far south as Durham, and as far west as Detroit are all within 500 miles of the **Korogard** manufacturing plant in Muncy, Pennsylvania.

Materials & Resources Credit 7 (Certified Wood)

Korowood™ Handrails: **Korogard** can supply Forest Stewardship Council-Certified Wood handrails.

To learn how **Korogard** products and the **Korogreen** Recycling Program can help contribute to your building achieving **LEED** credits, call us today at **800-628-0449**. For complete product information, visit korogard.com.

Handrails

Many factors combine to create a great handrail. Expert engineering, design flexibility, and reliable construction make Korogard® handrails a favorite among architects, designers, and facility owners. We have taken an innovative approach to product design. In fact, some might say we've turned it upside down. At Korogard, we concentrate on function—and fashion! We'd like to think we do a great job of engineering our handrails to withstand the wear and tear of the most demanding environments. However, we also take pride in offering a level of design flexibility that's sure to put a smile on any designer's face.



Korowood™ HW20 Handrail



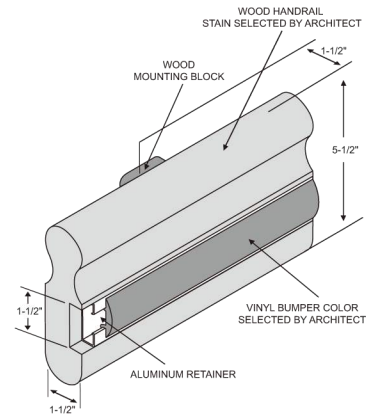
Korogard H60W Handrail



Korowood HW10 Handrail

Model HW20

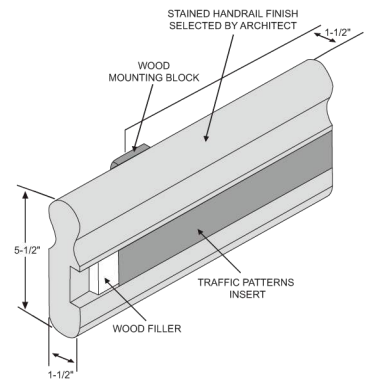
- 5-1/2" solid wood handrail with integrated flexible bumper
- Bumper insert available in 50 standard colors with no minimums
- Brass-colored bumper retainer standard; black and aluminum mill finishes also available
- Handrail available in Red Oak, Maple, Cherry, Ash, Poplar, and Eucalyptus with three standard finishes: Clear Varnish, Red Oak Stain, and Cherry Stain; or stained to match your specification
- FSC®-Certified Wood available upon request*
- Custom colors available (minimums apply)



HW20

Model HW20-TP

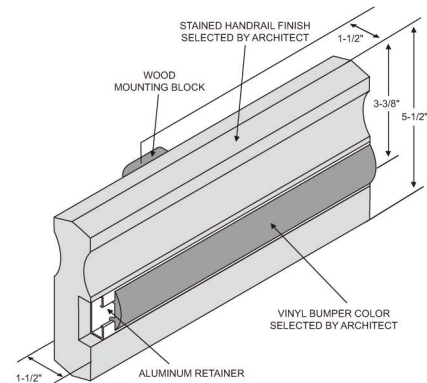
- 5-1/2" solid wood handrail with Traffic Patterns® insert
- Handrail available in Red Oak, Maple, Cherry, Ash, Poplar, and Eucalyptus with three standard finishes: Clear Varnish, Red Oak Stain, and Cherry Stain; or stained to match your specification
- FSC-Certified Wood available upon request*



HW20-TP

Model HW40

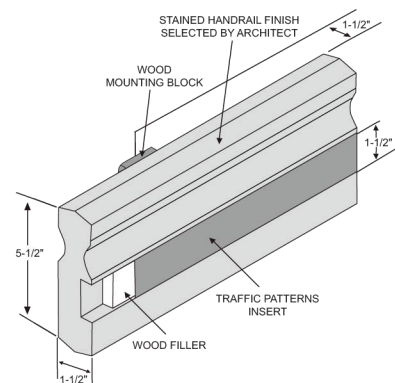
- 5-1/2" solid wood handrail with integrated flexible bumper
- Bumper insert available in 50 standard colors with no minimums
- Brass-colored bumper retainer standard; black and aluminum mill finishes also available
- Handrail available in Red Oak, Maple, Cherry, Ash, Poplar, and Eucalyptus with three standard finishes: Clear Varnish, Red Oak stain, and Cherry Stain; or stained to match your specification
- FSC-Certified Wood available upon request*
- Custom colors available (minimums apply)



HW40

Model HW40-TP

- 5-1/2" solid wood handrail with Traffic Patterns® insert
- Handrail available in Red Oak, Maple, Cherry, Ash, Poplar, and Eucalyptus with three standard finishes: Clear Varnish, Red Oak Stain, and Cherry Stain; or stained to match your specification
- FSC-Certified Wood available upon request*



HW40-TP

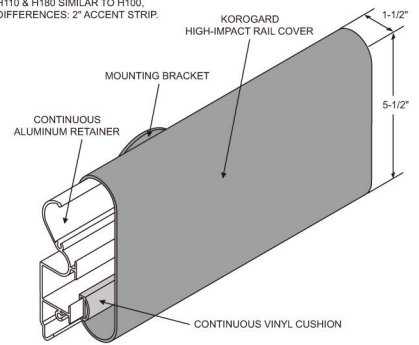




Model H100/H10E/H10F

- 5-1/2" handrail with full-length vinyl bumper and continuous aluminum retainer
- End and corner caps available as either foam cushion or rigid plastic
- Reveal option available for both cushion and rigid plastic end and corner caps
- Exclusive connector plates
- Available in 50 standard colors with no minimums
- Custom colors available (minimums apply)
- Available as Korogard *ETS* high-performance materials (H10E) (colors limited, minimums apply)
- Available with a wood grain finish (H10F) with wood grain ends in your choice of 6 finishes

NOTE:
H110 & H180 SIMILAR TO H100.
DIFFERENCES: 2" ACCENT STRIP.



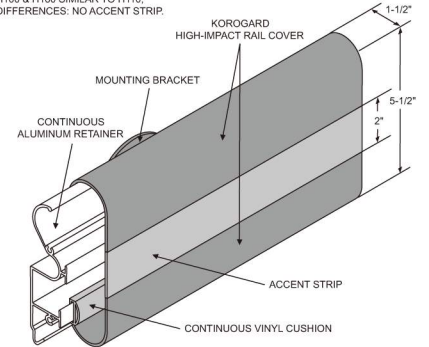
H100/H10E/H10F



Model H110

- 5-1/2" handrail with full-length vinyl bumper and continuous aluminum retainer
- End and corner caps available as either foam cushion or rigid plastic
- Reveal option available for both cushion and rigid plastic end and corner caps
- Exclusive connector plates
- Available in 50 standard colors with no minimums
- Custom colors available (minimums apply)
- Accent strip available in 50 standard colors with no minimums

NOTE:
H100 & H180 SIMILAR TO H110.
DIFFERENCES: NO ACCENT STRIP.



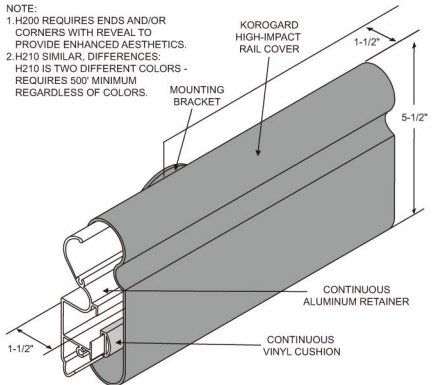
H110



Model H200/H20E

- 5-1/2" handrail with full-length vinyl bumper and continuous aluminum retainer
- End and corner caps available as either foam cushion or rigid plastic
- Available in 50 standard colors with no minimums
- Ideal for medium- to high-impact areas
- Black reveals standard at end and corner caps
- Custom colors available (minimums apply)
- Available as Korogard *ETS* high-performance materials (H20E) (colors limited, minimums apply)

NOTE:
1. H200 REQUIRES ENDS AND/OR CORNERS WITH REVEAL TO PROVIDE ENHANCED AESTHETICS.
2. H210 SIMILAR, DIFFERENCES: H210 IS TWO DIFFERENT COLORS - REQUIRES 500' MINIMUM REGARDLESS OF COLORS.



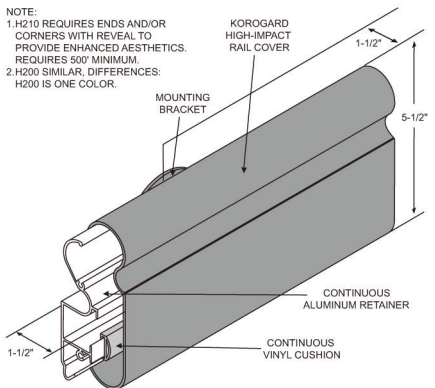
H200/H20E



Model H210

- 5-1/2" handrail with full-length vinyl bumper and continuous aluminum retainer
- End and corner caps available as either foam cushion or rigid plastic
- Ideal for medium- to high-impact areas
- Custom colors available (minimums apply)
- Two-color vinyl cover available in any combination of 50 standard colors (minimums apply)

NOTE:
1. H210 REQUIRES ENDS AND/OR CORNERS WITH REVEAL TO PROVIDE ENHANCED AESTHETICS. REQUIRES 500' MINIMUM.
2. H200 SIMILAR, DIFFERENCES: H200 IS ONE COLOR.

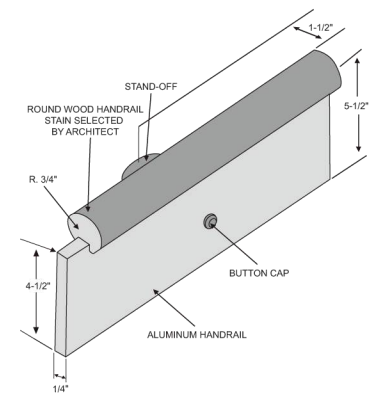


H210



Model HS50/LS50

- 4-1/2" aluminum handrail
- Mitered return
- Handrail available in finished aluminum and in three powder coated textures: Black, Silver, and Silver Stratum
- Available with rounded or oval top grip
- Top grips available in Red Oak, Maple, Cherry, Ash, Poplar, and Eucalyptus with three standard finishes: Clear Varnish, Red Oak Stain, and Cherry Stain; or stained to match your specification
- FSC®-Certified Wood available upon request*
- HS50 system is supplied factory-fabricated, finished, and assembled for installation

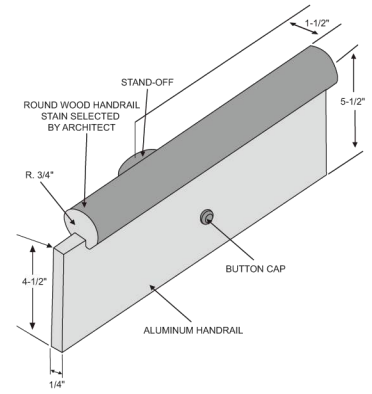


HS50/LS50



Model HS5R/LS5R

- 4-1/2" aluminum handrail
- Radius return
- Handrail available in finished aluminum and in three powder coated textures: Black, Silver, and Silver Stratum
- Available with rounded or oval top grip
- Top grips available in Red Oak, Maple, Cherry, Ash, Poplar, and Eucalyptus with three standard finishes: Clear Varnish, Red Oak Stain, and Cherry Stain; or stained to match your specification
- FSC-Certified Wood available upon request*
- HS5R system is supplied factory-fabricated, finished, and assembled for installation

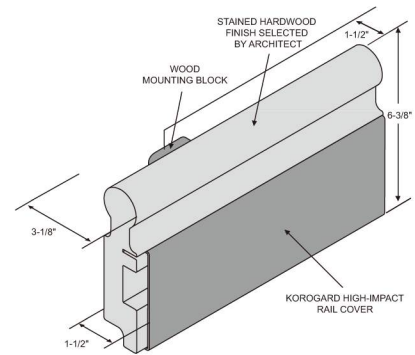


HS5R/LS5R



Model HW60

- Solid wood handgrip with 4" vinyl cover
- Vinyl cover available in 50 standard colors with no minimums
- Handgrip available in Red Oak, Maple, Cherry, Ash, Poplar, and Eucalyptus with three standard finishes: Clear Varnish, Red Oak Stain, and Cherry Stain; or stained to match your specification
- FSC-Certified Wood available upon request*
- Custom colors available (minimums apply)

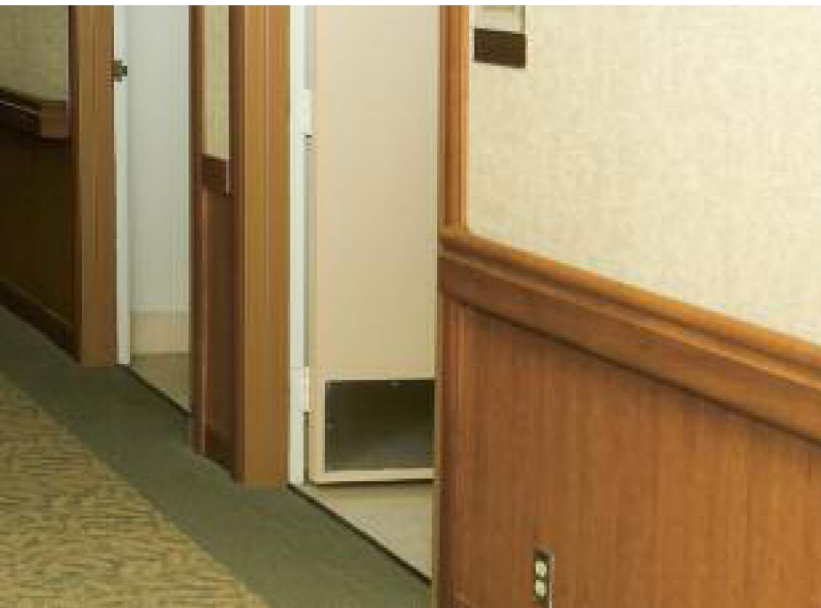


HW60

*FSC-C117062

Left: Korowood Handrail and Korowood Protective Wallcovering

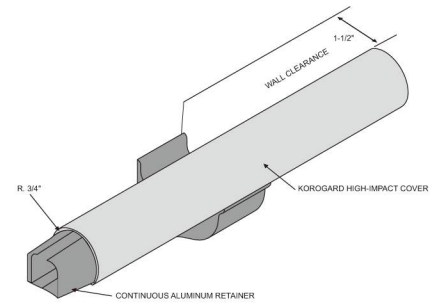
Right: Korogard H60W Handrail with C600 Crash Rail and G200 Corner Guard





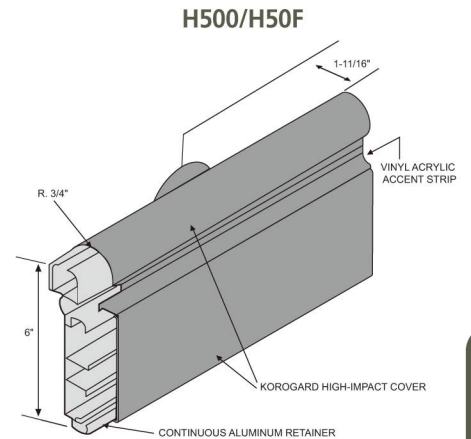
Model H500/H50F

- 1-1/2" aluminum handrail with a continuous aluminum retainer
- Embossed vinyl cover snaps in place, encasing the retainer for secure installation
- Best suited for light- to medium-impact areas
- Available in 50 standard colors with no minimums
- Custom colors available (minimums apply)
- Available with a wood grain finish (H50F) with wood grain ends in your choice of 6 finishes



Model H600/H60F

- 6" handrail with full-length vinyl bumper and continuous aluminum retainer
- Vinyl covers and thumb grips available in 50 standard colors with no minimums
- Custom colors available (minimums apply)
- Mix-and-match color options offer a multitude of design possibilities
- Available with a wood grain finish (H60F) with wood grain ends in your choice of 6 finishes



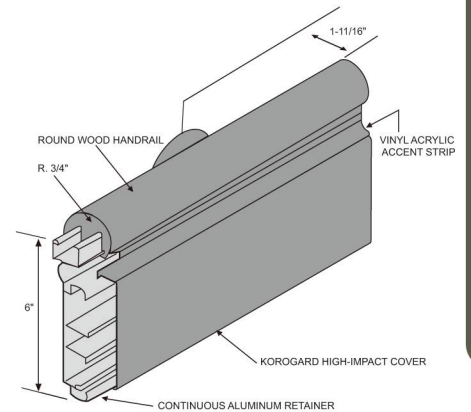
H500/H50F

H600/H60F



Model H60W

- 6" handrail with Korowood™ handgrip and full-length vinyl cover and continuous aluminum retainer
- Korowood handgrip available in Red Oak, Maple, Cherry, Ash, Poplar, and Eucalyptus
- Three standard finishes: Clear Varnish, Red Oak Stain, and Cherry Stain; or stained to match your specification
- Vinyl covers and thumb grips available in 50 standard colors with no minimums
- FSC®-Certified Wood available upon request*
- Custom colors available (minimums apply)

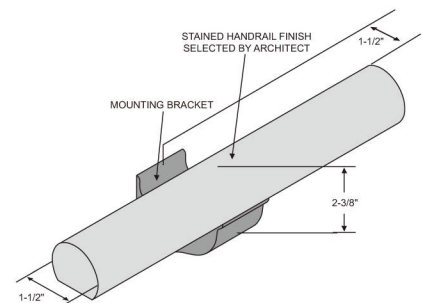


H60W



Model HW70

- 1-1/2" solid wood handrail with rounded full grip
- Mounting brackets available in 50 standard colors with no minimums
- Handgrip available in Red Oak, Maple, Cherry, Ash, Poplar, and Eucalyptus with three standard finishes: Clear Varnish, Red Oak Stain, and Cherry Stain; or stained to match your specification
- FSC-Certified Wood available upon request*
- Custom colors available (minimums apply)



HW70

Chair Rails

Everyone enjoys the beauty of a finished room or building—the point at which you can take a step back and savor the brilliance of a job well done. Achieving your desired result is key, but so is making it last! That's where Korogard® chair rails come into play. Over the years, the Korogard brand has become synonymous with wall protection. With a variety of designs and potential color and pattern combinations, Korogard's chair rails offer a level of protection that's sure to prevent dents and scratches for years to come!



Korogard BW90 Chair Rail with Chimayó Traffic Patterns Wallcovering, and a Custom Formed Corner Guard



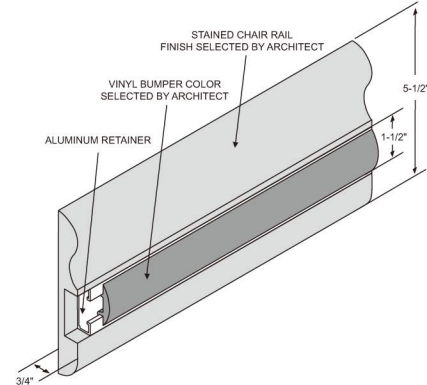
Korogard BW20 Chair Rail



Bellagard® BellaLucent Chair Rail

Model BW20

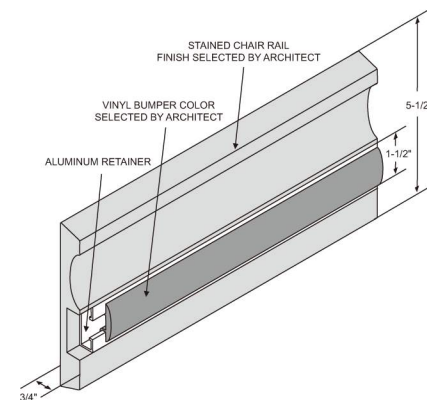
- 5-1/2" solid wood chair rail with integrated flexible bumper
- Bumper insert available in 50 standard colors with no minimums
- Brass-colored bumper retainer standard; black and aluminum mill finishes also available
- Chair rail available in Red Oak, Maple, Cherry, Ash, Poplar, and Eucalyptus with three standard finishes: Clear Varnish, Red Oak Stain, and Cherry Stain; or stained to match your specification
- FSC®-Certified Wood available upon request*
- Custom colors available (minimums apply)



BW20

Model BW40

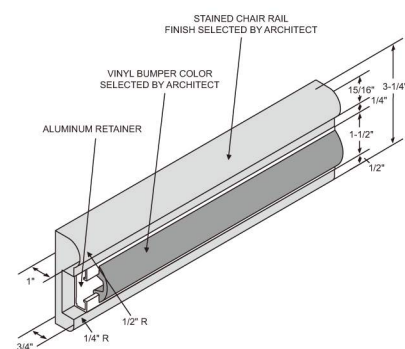
- 5-1/2" solid wood chair rail with integrated flexible bumper
- Bumper insert available in 50 standard colors with no minimums
- Brass-colored bumper retainer standard; black and aluminum mill finishes also available
- Chair rail available in Red Oak, Maple, Cherry, Ash, Poplar, and Eucalyptus with three standard finishes: Clear Varnish, Red Oak Stain, and Cherry Stain; or stained to match your specification
- FSC-Certified Wood available upon request*
- Custom colors available (minimums apply)



BW40

Model BW60

- 3-1/4" solid wood chair rail with integrated flexible bumper
- Bumper insert available in 50 standard colors with no minimums
- Brass-colored bumper retainer standard; black and aluminum mill finishes also available
- Chair rail available in Red Oak, Maple, Cherry, Ash, Poplar, and Eucalyptus with three standard finishes: Clear Varnish, Red Oak Stain, and Cherry Stain; or stained to match your specification
- FSC®-Certified Wood available upon request*
- Custom colors available (minimums apply)

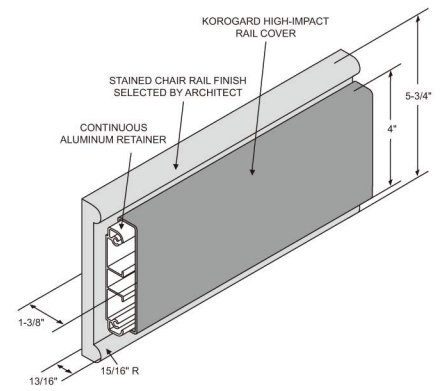


BW60



Model BW80

- 4" chair rail mounted on 5-3/4" solid wood backer
- Vinyl cover available in 50 standard colors with no minimums
- Ideal for low- to medium-protection areas
- Wood backer available in Red Oak, Maple, Cherry, Ash, Poplar, and Eucalyptus with three standard finishes: Clear Varnish, Red Oak Stain, and Cherry Stain; or stained to match your specification
- FSC®-Certified Wood available upon request*
- Custom colors available (minimums apply)

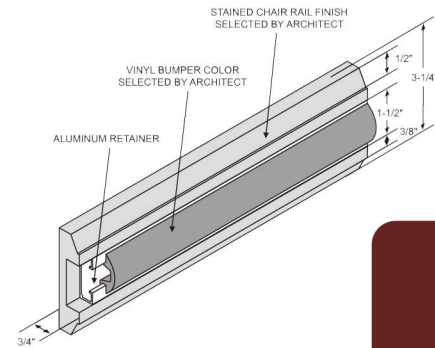


BW80



Model BW90

- 3-1/4" solid wood chair rail with integrated flexible bumper
- Bumper insert available in 50 standard colors with no minimums
- Brass-colored bumper retainer standard; black and aluminum mill finishes also available
- Chair rail available in Red Oak, Maple, Cherry, Ash, Poplar, and Eucalyptus with three standard finishes: Clear Varnish, Red Oak Stain, and Cherry Stain; or stained to match your specification
- FSC-Certified Wood available upon request*



BW90

Bottom: Korogard H500 Handrail with C400 Crash Rail and G200 Corner Guard



Bumper Rails

Especially popular in healthcare applications, Korogard® bumper rails are a great way to protect your walls from the impact of beds, chairs, and other potentially damaging abuse. Bumper rails can preserve your walls by offering patients, residents, and healthcare professionals a subtle reminder when they are approaching a wall or door. Bumper rails are positioned in high-traffic areas where most impact can be resisted and damage to the walls avoided. They are easy to clean and maintain and can be specified in your choice of colors to complement your desired color scheme.



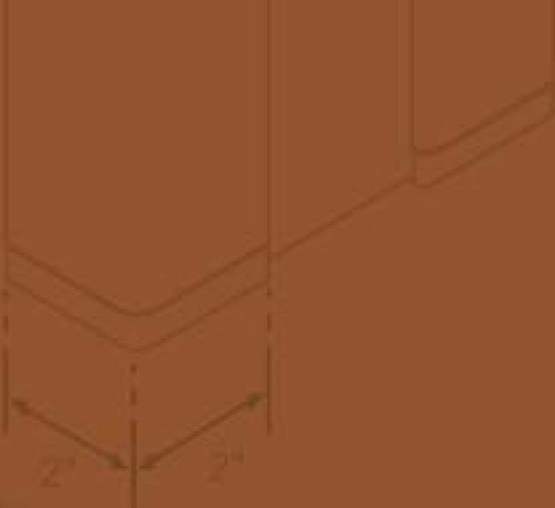
Korogard B100 Bumper Rail with C600 Crash Rail and G210 Corner Guard



Korogard B100 Bumper Rail with C400 Crash Rail



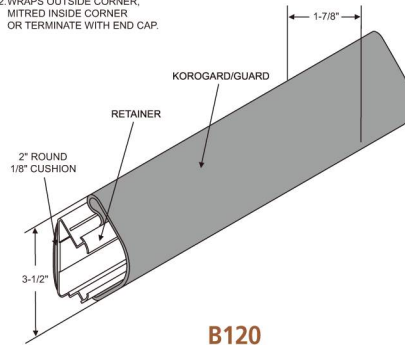
Korogard B100 Bumper Rail with C600 Crash Rail



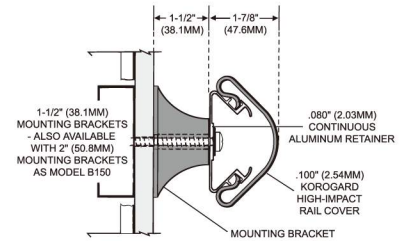
Model B100

- 3-1/2" rail with rounded full-length profile cover and continuous aluminum retainer
- Variety of mounting options
- Available with bed locator ends to position beds in safe, damage-free space

NOTE:
1. SIMILAR PRODUCTS
B130-1/2" MOUNTING CUSHIONS.
B140-1-1/2" BELLS
2. WRAPS OUTSIDE CORNER,
MITRED INSIDE CORNER
OR TERMINATE WITH END CAP.



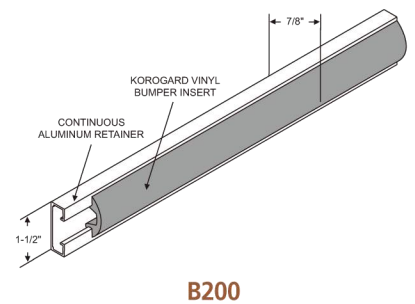
- Available in 50 standard colors with no minimums
- Custom colors available (minimums apply)



Model B200

- 1-1/2" rail with integrally colored flexible vinyl bumper inserted into continuous aluminum retainer channel
- Retainer available as aluminum mill finish, brass, or black
- Available in 50 standard colors with no minimums
- Custom colors available (minimums apply)

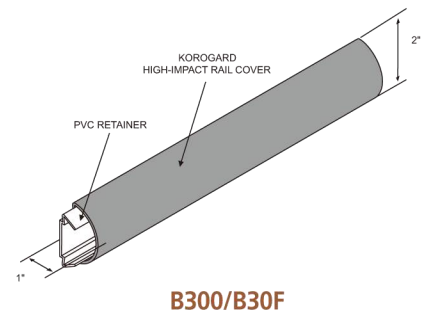
NOTE:
1. WRAPS OUTSIDE CORNER,
MITRED INSIDE CORNER
OR TERMINATE WITH END CAP.



Model B300/B30F

- 2" rail with rounded full-length profile cover and recycled PVC retainer
- Available in 50 standard colors with no minimums
- Custom colors available (minimums apply)
- Available with a wood grain finish (B30F) and solid color ends in your choice of 6 finishes

NOTE:
1. WRAPS OUTSIDE CORNER,
MITRED INSIDE CORNER OR
TERMINATE WITH END CAP.



Corner Guards

Scratches and dents are common occurrences in most commercial environments. That's why Korogard® has designed a variety of corner guards to protect the edges of your walls from the inevitable abuse of high-traffic areas. Offering everything from standard PVC to modern stainless steel, Korogard can provide a unique blend of options to complement a variety of interiors from traditional to contemporary.



Korogard G100 Corner Guard with H600 Handrail



Bellagard® Textured Stainless Steel Corner Guard



Korogard G100 Corner Guard with H60W Handrail and C600 Crash Rail

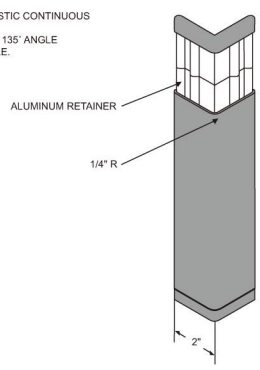


G100 Series/G10E/G10F

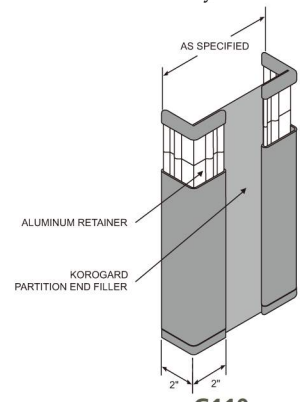
- 2" vinyl 1/4"-radius profile cover mounted over continuous retainer
- Choice of aluminum or extruded from recycled PVC retainers
- Top and bottom caps "lock" profile cover in place

- Available in 50 standard colors with no minimums
- Custom colors available (minimums apply)
- Available as Korogard ETS high-performance materials (G10E) (colors limited, minimums apply)
- Available with a wood grain finish (G10F) and solid colored ends in your choice of 6 finishes

NOTE:
 AVAILABLE IN PLASTIC CONTINUOUS
 RETAINER (G160).
 NOT AVAILABLE IN 135° ANGLE
 OR CUSTOM ANGLE.



G100/G160/G10E/G10F



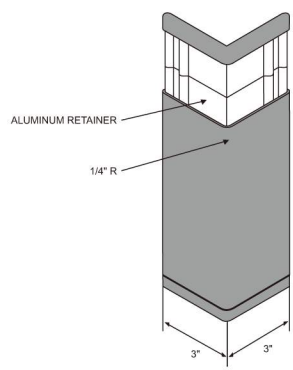
G110



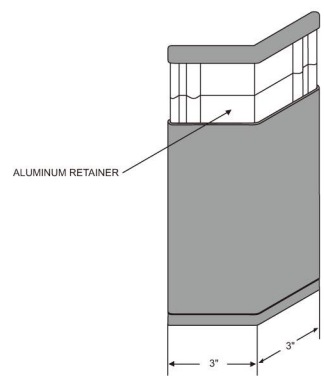
G200 Series/G20E/G20F

- 3" vinyl 1/4"-radius profile cover mounted over continuous aluminum retainer
- Top and bottom caps "lock" profile cover in place
- Available in 50 standard colors with no minimums

- Custom colors available (minimums apply)
- Available as Korogard ETS high-performance materials (G20E) (colors limited, minimums apply)
- Available with a wood grain finish (G20F) and solid colored ends in your choice of 6 finishes



G200/G20E/G20F



G210



Korogard®

Custom Solutions

Got a challenge? We've got your solution.

At Koroseal®, we never shy away from custom wall protection challenges. In fact, we welcome them. With Ed Frey and the rest of our custom solutions crew on the job, there's no special request we can't handle. Got a challenge? Call 800-628-0449 for your solution.

- Custom wallcoverings
- Custom corner guards
- Custom handrails and crash rails
- Radius wall protection
- Custom door frame protection
- Custom column protection
- Complete custom wall protection systems
- Traffic Patterns® wallcovering



Ed Frey, Master Craftsman



The Challenge: Wall protection for a high-traffic cafeteria.

The Solution: Koroseal wrapped columns.



The Challenge: Door jambs need just as much protection as rest of wall surfaces.

The Solution: Korogard custom door frame protection.





The Challenge: Continuous combination of flat and curved wall surfaces.

The Solution: Korogard custom handrails.



Custom Solutions



The Challenge: Unpredictable facility parameters demand unique wall protection products.

The Solution: Korogard custom formed products.

One Custom Solution After Another

How does Ed ensure that our clients get exactly what they're looking for? For over 15 years, Korogard's® "systems" approach to wallcoverings has allowed us to offer custom solutions based on what works best for you. From handrails and crash rails to custom formed products, Korogard can deliver wall protection systems around any facility parameters. To learn more, visit korogard.com today.

Technical Data



Chemical & Stain Resistance

After 30 Days Contact

Material	Chemical Resistance		Staining Tendency	
	73°F	140°F	73°F	140°F
Lestoil®	No Change	Slight Attack	None	Slight
Household Ammonia	No Change	Slight Attack	None	Slight
Regular Exxon Gasoline	No Change	—	Very Slight	—
Tomato Juice	No Change	No Change	Very Slight	Medium
Tea	No Change	No Change	Slight	Slight
Coffee	No Change	No Change	Very Slight	Medium
Isopropyl Alcohol	No Change	—	None	—
Mustard	No Change	No Change	Slight	Medium
Clorox®	No Change	No Change	None	Slight
Soda	No Change	No Change	None	Slight

Fire Code Selection Guide

Gauge	Korogard 500	Korogard 600
.028" (.71mm)	◆	
.040" (1.02mm)	◆	
.060" (1.52mm)	◆	
.080" (2.03mm)	▼	◆
.125" (3.18mm)		◆

- ◆ Signifies products that meet or exceed Class A Fire Code criteria.
- ▼ Signifies products that meet or exceed Class B Fire Code criteria.

Fire Retardancy Data

Korogard® 500

Property	Test Parameter	Value
Korogard Fire gas toxicity*	LC50 Temp. @ 1% sample mass loss Max. CO concentration Max. CO ₂ concentration	9.90g 601°F (316°C) 5500 ppm @ 880°F (471°C) 0.90% @ 981°F (527°C)
CAN/ULC-S102.2-M88 (.028"- .040")	FSC1 SD	0 <5
Flame Spread** (ASTM E-84)	.060" or less .093" or less	25 35
Smoke Developed** (ASTM E-84)	.060" or less .093" or less	40 350-450

Fire Retardancy Data

Korogard 600

Property	Test Parameter	Value
Flame Spread (ASTM E-84)	.080"*	25
	.093"*	20
	.125"*	20
Smoke Developed (ASTM E-84)	.080"*	325
	.093"*	390
	.125"*	440

* NOTE: Independent test laboratory data. Product applied to a nonflammable substrate using 3M's Fastbond 30® contact adhesive at an application rate of 225 sq. ft. per gallon.

All Korogard Handrails comply with ANSI and conform with all applicable building codes, including UBC, SBCCI, BOCA, OSHA, and Life Safety.

* Filed in compliance with Article 15, Part 1120 of New York State Uniform Fire Prevention & Building Code.

** Underwriters Laboratories, Inc. file #R6738. Product applied to a nonflammable substrate using 3M's Fastbond 30® contact adhesive at an application rate of 130 sq. ft. per gallon.

Selected Average Properties of Korogard Protective Wallcovering*

Property	Test Method	Value
Specific gravity	ASTM D-792	1.35-1.45
Tensile strength at yield (psi)	ASTM D-638	6,000
Modulus of elasticity (psi)	ASTM D-638	324,000
Elongation at break (%)	ASTM D-638	154
Maximum flexural strength (psi)	ASTM D-790	10,200
Modulus of elasticity (psi)	ASTM D-790	347,000
Hardness Durometer Shore D Rockwell L	ASTM D-2240	77
	ASTM D-785	57
Impact strength Charpy unnotched (ft.-lbs./1/2" x 1") 73°F (23°C) 32°F (0°C)	ASTM D-256	No Break No Break 12-18
	ASTM D-256	
Heat deflection temperature (HDT) @ 264 psi (annealed)	ASTM D-648	165°-170°F (74°-76.5°C)
Thermal expansion Coefficient of linear thermal expansion (in./in.-°F x 10 ⁻⁵) 100°F (38°C) 60°F (16°C)		4.5 4.2
Shear strength (psi)	ASTM D-732	4,500
Abrasion resistance Taber test (wt. loss in grams CS-10 wheels, 1 kg/wheel, 1000 cycles)	ASTM D-1044	0.015

* NOTE: These are typical sheet properties and are not to be used to establish minimum material specifications. They are the latest available at the time of publication and are authentic to the best knowledge of Koroseal®. Properties are listed solely to give general guidance and are not to be construed as a warranty of any type.

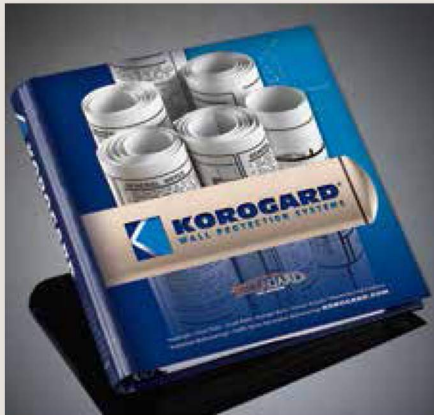
All data refers to Korogard 500 and Korogard 600.

Sheet & Roll Selection Guide

	Standard Sheet and Rolls (No Minimum Requirement)	Special Order Sheet and Rolls (Minimums May Apply)
Colors	50 Standard Colors	Unlimited Custom Colors
Thicknesses	.028" (0.7mm) .040" (1.0mm) .060" (1.5mm)	.028" (0.7mm) .040" (1.0mm) .060" (1.5mm) .080" (2.0mm) .093" (2.4mm) .125" (3.2mm)
Texture(s)	P-1 Haircell	P-3 Velour Matte P-C Level Haircell P-E Smooth Nap P-K Cashmere
Sheet Size(s)	48" x 96" (1.22M x 2.44M)	24" x 96" (.61M x 2.44M) 36" x 96" (.91M x 2.44M) 36" x 120" (.91M x 3.05M) 48" x 120" (1.22M x 3.05M) 60" x 96" (1.52M x 2.44M) Custom Sheet Sizes Also Available
Roll Size(s)	48" x 120' (1.22M x 36.58M) (.028" and .040" only)	24" x 120' (.61M x 36.58M) 36" x 120' (.91M x 36.58M) 48" x 120' (1.22M x 36.58M) Custom Roll Sizes Also Available (.028" and .040" only)

Superior Wall Protection. Comprehensive Marketing Solutions.

To find a representative who can assist you with your next project, visit korogard.com or call **800-628-0449**.



A Winning Combination

At Koroseal, our relationship with our dealers doesn't end with our top-notch product line. A partnership with Korogard® also means access to our innovative marketing solutions. By offering a variety of resources, Koroseal works with our distribution network to ensure our end users have a complete selection of marketing materials at their fingertips.



Korogard Online

Visit us online at korogard.com, a breakthrough site that includes a variety of product information including an Architect's Corner. A one-stop-shop for architects, korogard.com's Architect's Corner offers quick links to BIM projects, CAD drawings, specification sheets, and detailed installation instructions.

Video Installation

Check out our online installation videos. Visit korogard.com or bellagard.com and click on the installations link in the menu to download Korogard's wallcovering and Bellagard's wall panel installation videos.



Spanish Installation Instructions

Spanish installation instruction sheets are now available! Visit korogard.com and click on the Installations link for a comprehensive listing of all English and Spanish installation sheets in PDF format.

The Real Deal

If a product sample is what you need, Koroseal will be more than happy to accommodate your request. Give us a call, and we'll supply you with a sample of your choice.

Call Koroseal today at 800-628-0449 to learn how you can take advantage of our innovative marketing materials.



Bellagard® Online

Visit Koroseal's newest product line at bellagard.com. A designer's dream come true, Bellagard® Wall Finishes collection includes everything you need to create a striking environment. Incorporating beautiful materials such as BellaLucent Rails, BellaStone Composites, BellaLaminates, Sculpted Wall Panels, Powder Coated Metals, Elegant Metals, and Elegant Woods. Bellagard is a new concept in interior wall finishings.



Bellagard Product Designer

Koroseal is proud to announce the launch of the online Product Designer. An excellent way to visualize your final product, the step-by-step guide allows you to build a Bellagard handrail or chair rail. Visit bellagard.com to take advantage of this fun and easy way to specify your next product!

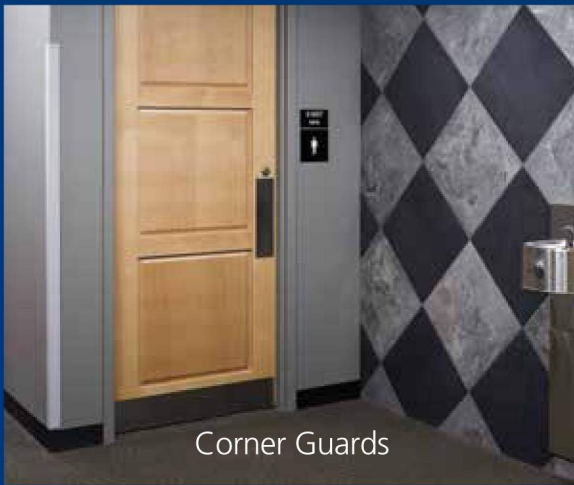
Expanding our family of products.



Handrails



Protective Sheets



Corner Guards



Wall Panels



metro
wallcoverings

800-628-0449 • korogard.com • Division 10 26 00
3875 Embassy Parkway • Fairlawn, Ohio • 44333-8330

800-440-0911 • metrowallcoverings.com
2600B Steeles Avenue West • Concord, Ontario • Canada • L4K 3C8

Bellagard®, Korogard®, Korogreen™, Koroseal®, Koroklear®, Korowood™, option e™, RCV™, Sound Designs™, tac•wall®, Traffic Patterns®, Victrex®, and walltalkers® are trademarks and registered trademarks of Koroseal Interior Products, LLC. Exxon® is a registered trademark of Exxon Mobil Company. Forest Stewardship Council® and FSC® are registered trademarks of Forest Stewardship Council International. LEED® is a registered trademark of the United States Green Building Council. Lestoil® and Clorox® are registered trademarks of The Clorox Company. Lexan® is a registered trademark of General Electric Company. Scuffmaster® and Zolatone® are registered trademarks of Master Coating Technologies.

©2009-2014 Koroseal Interior Products, LLC. Koroseal Interior Products, LLC reserves the right to make design changes or to withdraw any design without notice.